

Specification sheet LX 1392

Roof drainage systems LORO-DRAINJET® Mini DN 50 for Box gutter with 300 mm

Main drainage

Siphonic flow

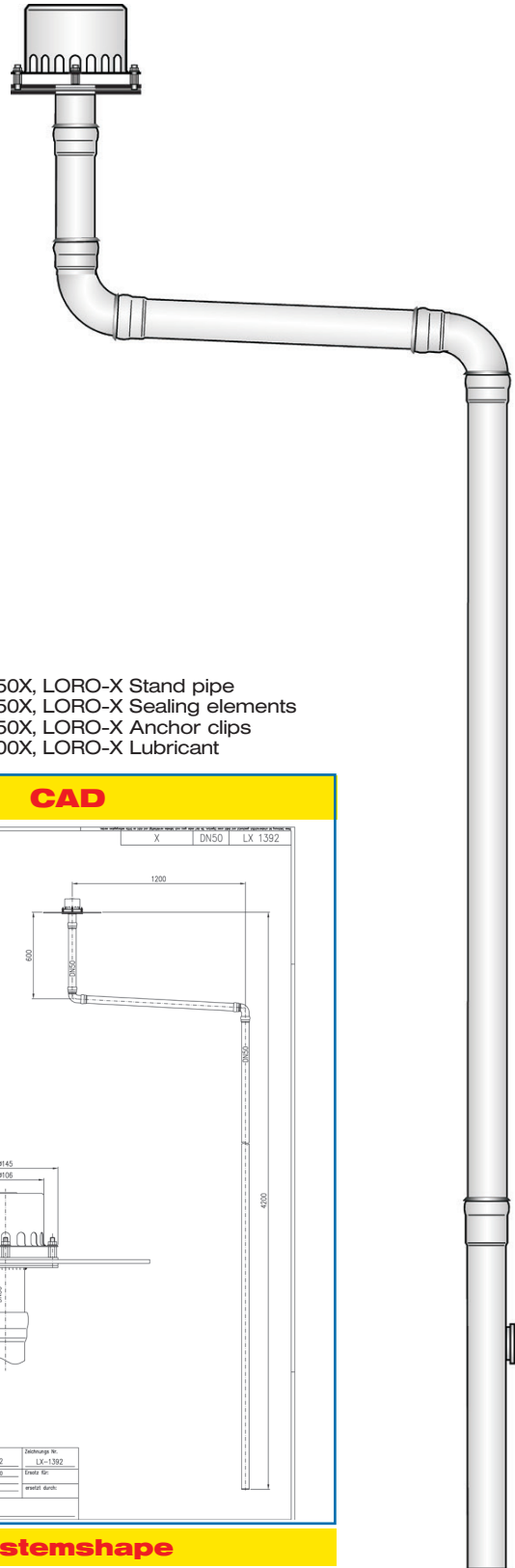
Silent Power

Discharge rate:	8,5 l/sec
Water height:	55 mm
Roof penetration:	-
Diameter:	DN 50
LX-Number:	LX 1392
Weir height:	0 mm
Drain:	not ventilated
Downpipe:	not ventilated
Downpipe height:	4,2 m
Drainage:	in sewer
Flangeform:	clamping flange

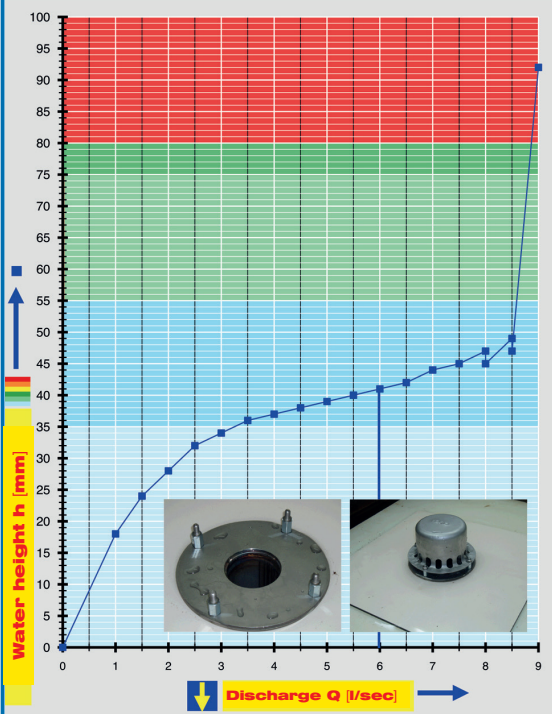
LX 1392 Piece list

- 1 x Art.-No. 21116.050X, DRAINJET® Mini DN 50
- 2 x Art.-No. 00350.050X, LORO-X Bend
- 1 x Art.-No. 01401.050X, LORO-X Pipe with one socket
- 1 x Art.-No. 01201.050X, LORO-X Pipe with one socket
- 1 x Art.-No. 01004.050X, LORO-X Pipe with one socket

- 1 x Art.-No. 05510.050X, LORO-X Stand pipe
- 6 x Art.-No. 00911.050X, LORO-X Sealing elements
- 3 x Art.-No. 00806.050X, LORO-X Anchor clips
- 1 x Art.-No. 00986.000X, LORO-X Lubricant

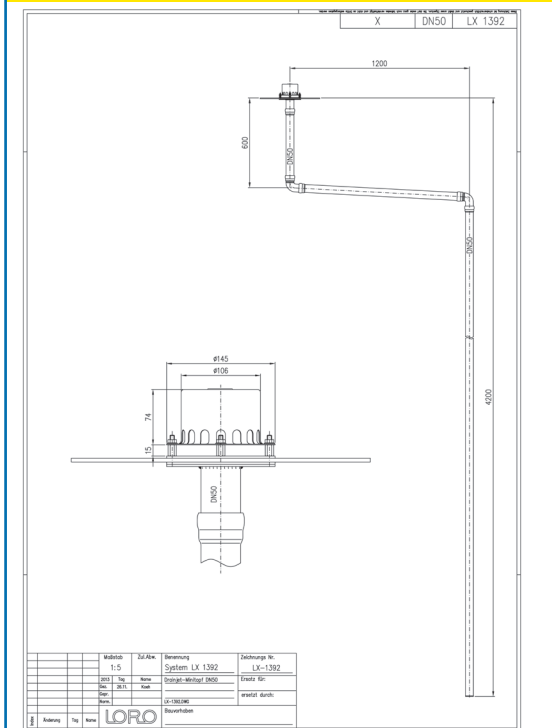


hQ - Head Discharge curve



Systempower

CAD



Systemshape

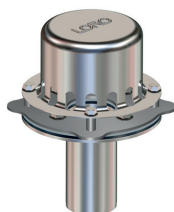
Water height	mm	5	10	15	20	25	30	35	40	45	47	49	55			
Discharge	l/s				1,2	1,6	2,2	3,2	5,5	7,5	8,0	8,5	8,5			
Silent																

LORO-DRAINJET® Mini, DN 50

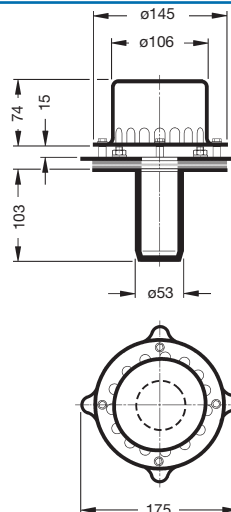
LORO-X DRAINJET® Mini

with clamping flange for
Box gutter

Drain: Art.-No. 21116.050X



LX1392-5X



Single-part LORO-X Bend with short radius,

made of hot-dip galvanised steel, DN 50

Art.-No. 00350.050X

Weight: 0,4 kg



Single-part LORO-X standpipe

with cleaning opening

made of hot-dip galvanised steel, DN 50

1000 mm long Art.-No. 05510.100X

Weight: 2,2 kg



Single-part LORO-X Pipe with one socket

made of hot-dip galvanised steel, DN 50

250 mm long Art.-No. 01401.050X

1000 mm long Art.-No. 01201.050X

2500 mm long Art.-No. 01004.050X



Single-part LORO-X Anchor clip,

made of hot-dip galvanised steel, DN 50

Art.-No. 00806.050X

Weight: 0,3 kg



Single-part LORO-X Sealing element

Art.-No. 00911.050X

Weight: 0,6 kg

